

Live & Static Tooling
Mori Seiki SL 403, SL 603, VL553II MC



DMG **MORI SEIKI**

QUALIFIED PRODUCTS

 **ALPS TOOL**



Fax: (847) 367-4815

Email: inquiries@lyndexnikken.com

Fill in the form below and fax it to (847) 367-4815, or visit www.lyndexnikken.com and complete the form online. Lyndex-Nikken engineers will help you to determine the best live tool for your application.

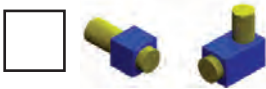
Company _____ Name _____

Address _____

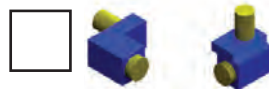
Zip _____ City _____

Phone _____ E-mail _____

Please specify design configuration:



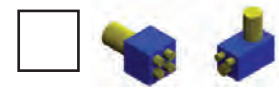
Standard:
1) straight
2) 90° (reducer/speeder)



Offset:
1) straight
2) 90°



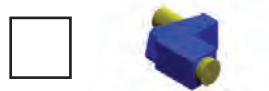
Saw Blade Holder:
1) straight
2) 90°



Multi Output:
1) straight
2) 90°



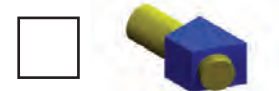
Offset Multi Output:
1) straight
2) 90°



Adjustable Y straight



Adjustable Angle



Fixed Angle

Please specify holding system and cutting tool specifications:

Holding System

Preferred type of holding system (ER, Shrink Fit, Shell Mill Arbor, etc.): _____

Application and Cutting Tool Specifications

Type of material: _____

Type and nature of application (milling, drilling, reaming, slitting, etc.): _____

Size of cutter (diameter): _____ Overall length of cutter: _____

Flute length: _____ Requested RPM: _____ Requested torque: _____

Coolant Requirements

External/Internal: _____ Requested pressure capabilities: _____

Number of nozzle ports: _____ Coolant pipe design or configuration specifications: _____

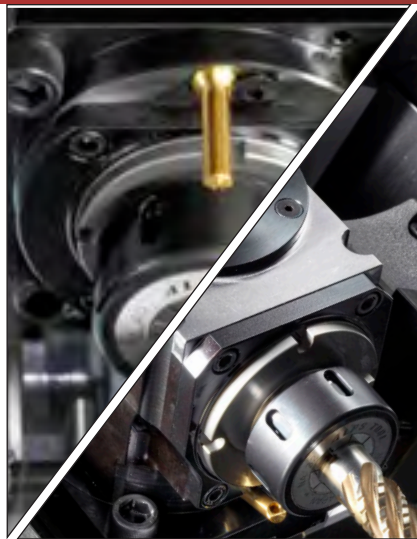


Table of Contents	3
Maximize Your Machine	4
Features and Technology	5
General Matrix	6
Live & Static Tools for Mori Seiki SL403-603, VL553 MC Series Lathes	7-12
CAT End Mill Holders	13
BT End Mill Holders	14-15
CAT & BT ER Collet Chucks	16
CAT & BT Shell Mill Holders	17
ER Collets	18-21
Wrench Usage, Warranty and Service	22
Our Mission	23

Specials

Custom-made live tools can be engineered for your specific application. Please direct your request to our office (see special live tool inquiry form). Our engineering staff is ready to assist you with your specific tooling needs.





Parts inventory, maintenance and repair, and rebuild services are available through Lyndex-Nikken.



Lyndex-Nikken is an Official Mori Seiki Qualified Peripherals (DMSQP) supplier.



Lyndex-Nikken live tools are manufactured by Alps Tool Co. Ltd.

Maximize the capabilities of your Mori Seiki Machine

Mori Seiki has selected Alps/Lyndex-Nikken live tools for inclusion in their DMSQP (Mori Seiki Qualified Peripherals) program to ensure that peripheral equipment used on their lathes and machining centers is consistent both in terms of quality and performance.

Alps live tooling from Lyndex-Nikken offers the latest technology you can expect for turning operations. Designed and manufactured directly with Mori Seiki engineers in Japan, our live tools have features and benefits unmatched by the competition. Gears, bearings, seals, every part is built to provide the highest accuracy, rigidity and stability.

With more than 30 years of tooling engineering and manufacturing experience, Lyndex-Nikken live tooling will maximize the capabilities of your machine, and keep you far ahead of the global competition. We understand that exceptional quality is key to your business. Let the manufacturers who share your philosophy in producing live tools join you in doing what you do best - machining the highest quality parts.

Enhanced with Alps/Lyndex-Nikken live tooling, your Mori Seiki machine will allow you to reduce cycle times, eliminate extra operations and achieve maximum efficiency.

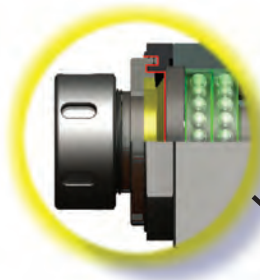


847-367-4800

www.lyndexnikken.com

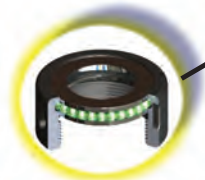
Features and Technology

As an authorized OEM supplier to Mori Seiki, Lyndex-Nikken live tools are designed and manufactured in conjunction with Mori Seiki engineers.



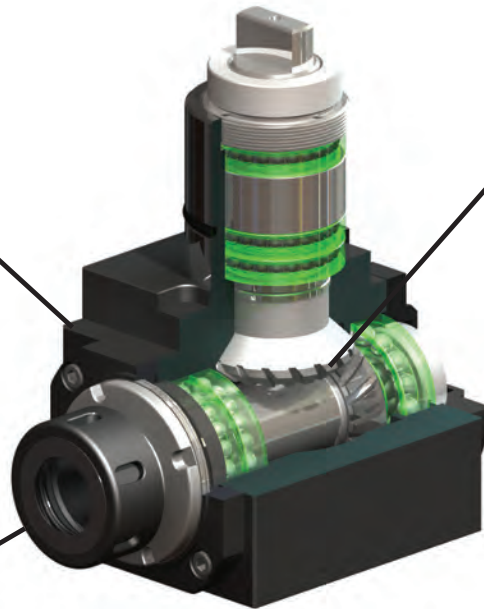
Protective Seals

- **Labyrinth Seals** - provide a high-pressure multi-barrier construction that prevents contaminants and coolant from entering the main chamber.



Eccentric Bearing Nut

- **Ground Eccentric Nut** - allows for fine accuracy and strong tool shank gripping capacity by preventing collet twisting or rocking.
- **Runout** - guarantee of under 5-micron repeatability at collet nose.



Gears for Stability

- **Gear Pairing** - hand-matched for each pair to minimize backlash.
- **Gear Design** - custom ground spiral bevel gear tooth design maximizes drive torque output and reduces tooth root stress allowing for more tool longevity.
- **Gear Equilibrium** - placement of bearings balance torque stress evenly through input/output shafts.

Tool Design and Engineering

- **Tool Body** - manufactured from the highest tensile and compression Nickel Chrome Molybdenum alloys.
- **Drive Shafts** - all features are ground on both the input and output Chrome Molybdenum drive shafts to assure proper torque transmission and precision concentricity.
- **Bearing Quality** - only the highest precision ABEC 7 angular contact bearings are used for smooth and high speed rotation.
- **Quality Control** - all live tools go through a vigorous 60-point final inspection to satisfy the highest expectations of live tool performance.

STATIC TOOLS

Product	Page	Part Number	Output	Ext./Int. Coolant
Boring Bar Holders				
	7	MSL12-BG25Z	2.5"	Ext.
	7	MSL12-BG25Z-L	2.5"	Ext.
IP Turning Tool				
	8	MSL12-ID12Z-L	1.25"	Ext.
	8	MSL12-ID12Z-S	1.25"	Ext.
OD Turning Tool				
	9	MSL12-TURN12-L	1.25"	Ext.
	9	MSL12-TURN12-S	1.25"	Ext.

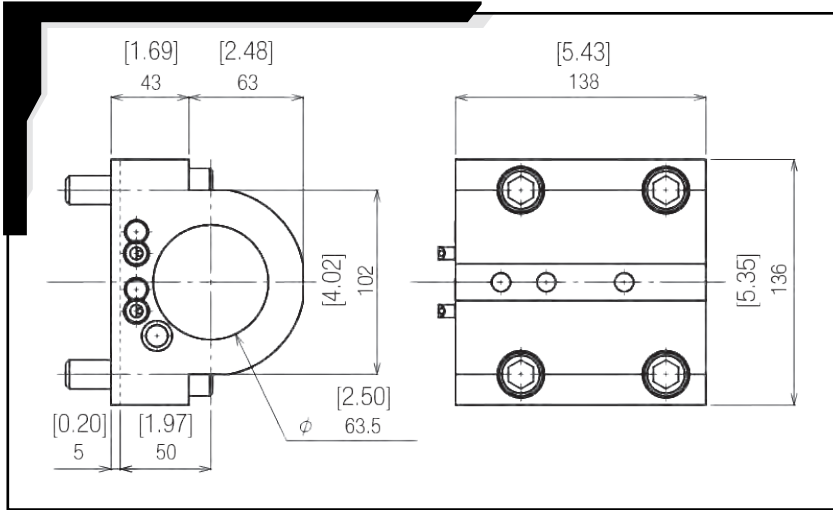
LIVE TOOLS

Product	Page	Part Number	Output	Ext./Int. Coolant
Milling Chucks Series				
	10	MSL12-ARH12-C-7MP	1.25"	Int.
	10	MSL12-ARH32MM-C-7MP	1.25"	Int.
Quick Change Series				
	11	MSL12-BT40	BT40	
	11	MSL12-CT40	CT40	
Milling Chucks				
	12	MSL12-MCH12	1.25"	Ext.
	12	MSL12-MCH32MM	2.5"	Ext.
ER Collet Chuck Series				
	12	MSL12-ER50	ER50	

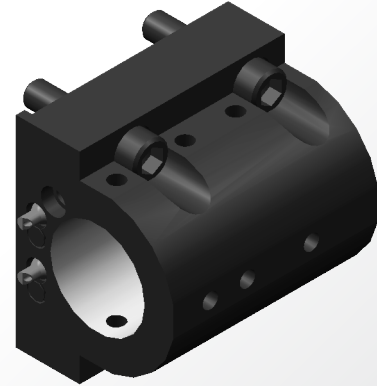


2.5" Boring Bar Holder

Part #: MSL12-BG25Z

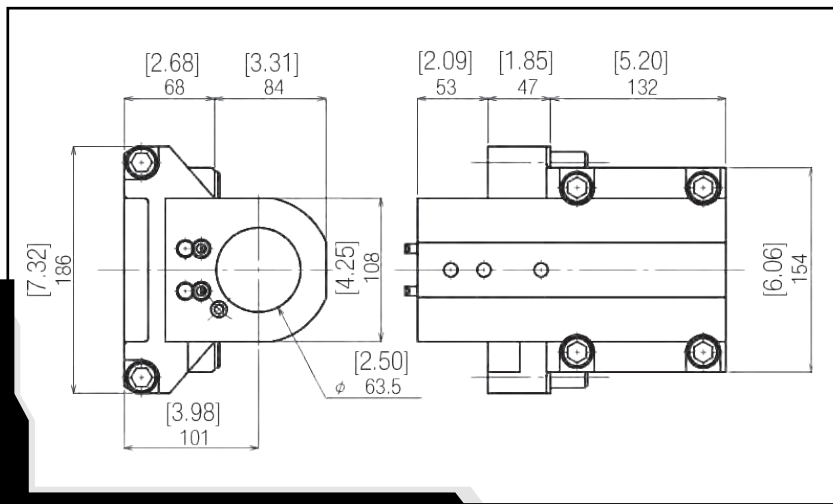


Mori Part Number#: T10055

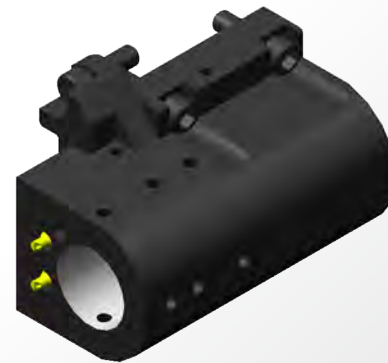


2.5" Boring Bar Holder - Long

Part #: MSL12-BG25Z-L



Mori Part Number#: T10091



STATIC



12 STATION

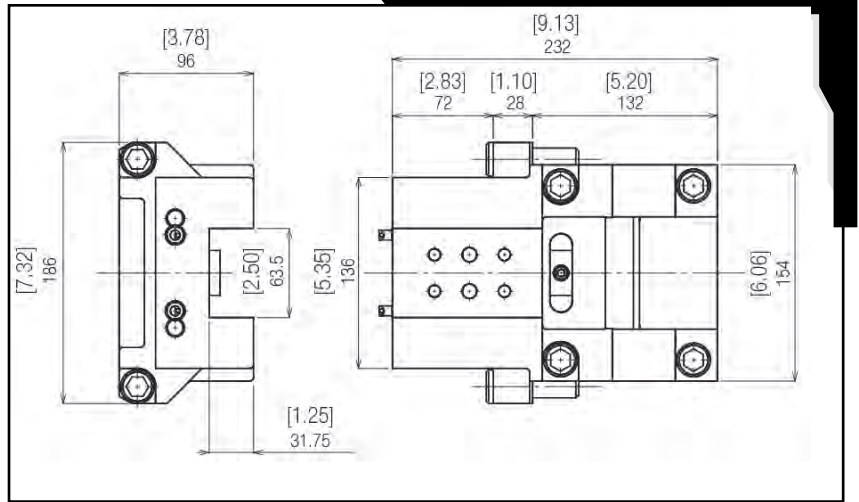
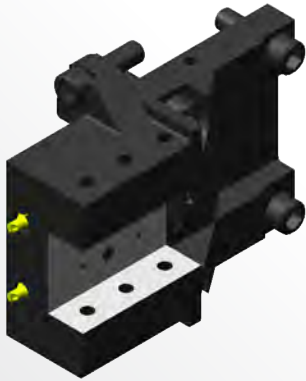


847-367-4800
www.lyndexnikken.com

1.25" ID/Face Turning Holder - Long (Axial Only)

Part #: MSL12-ID12Z-L

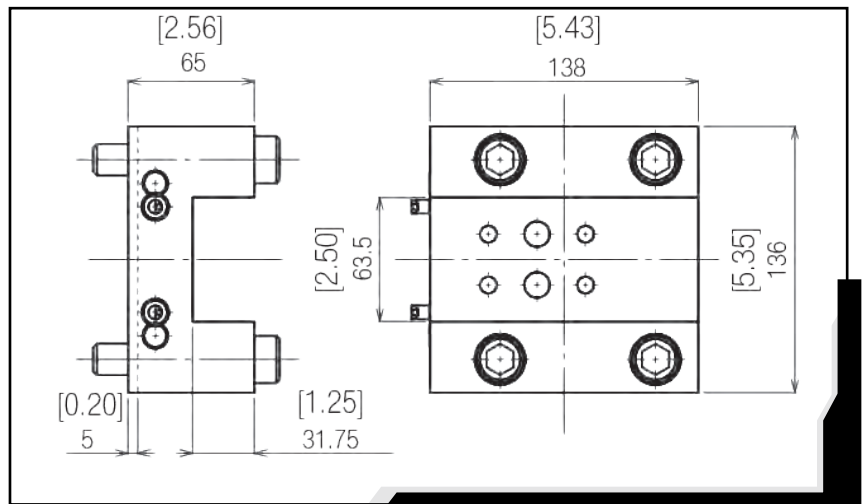
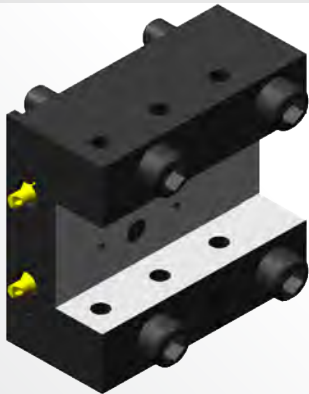
Mori Part Number#: T00173



1.25" ID/Face Turning Holder - Short (Axial Only)

Part #: MSL12-ID12Z-S

Mori Part Number#: T00089

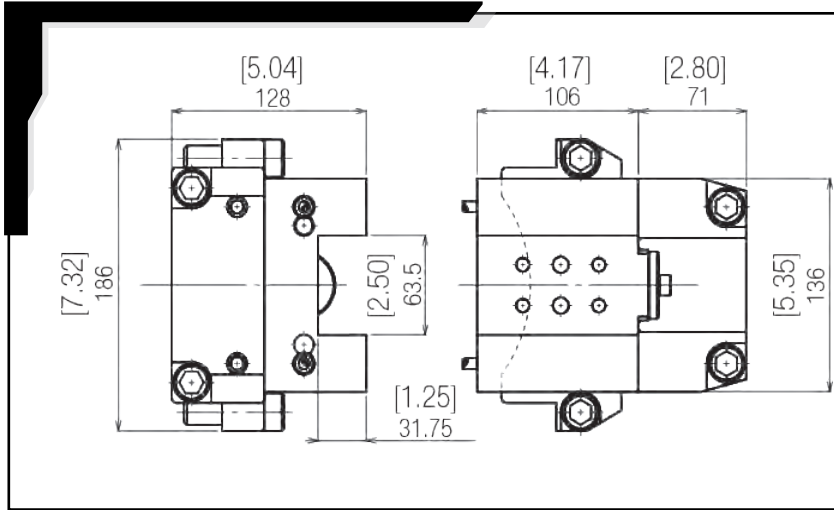


STATIC

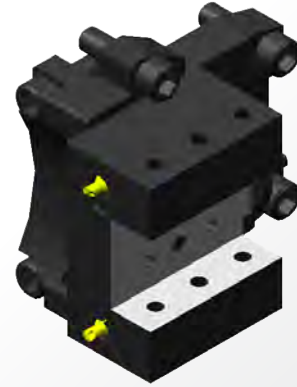


1.25" ID/OD Turning Holder (Axial/Radial)

Part #: MSL12-TURN12-L

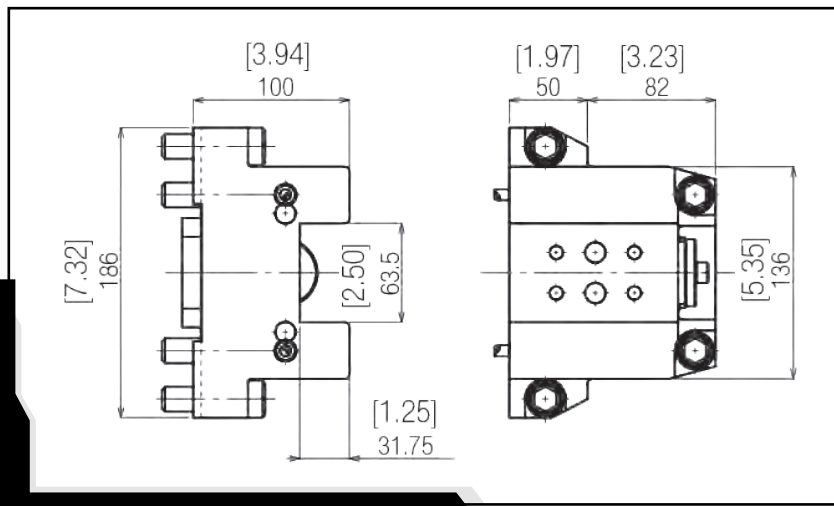


Mori Part Number#: T00171



1.25" ID/OD Turning Holder - Short

Part #: MSL12-TURN12-S



Mori Part Number#: T00169



STATIC



12 STATION



847-367-4800
www.lyndexnikken.com



1.25" Milling Chuck (Axial/Radial)

Part #: MSL12-ARH12-C-7MP

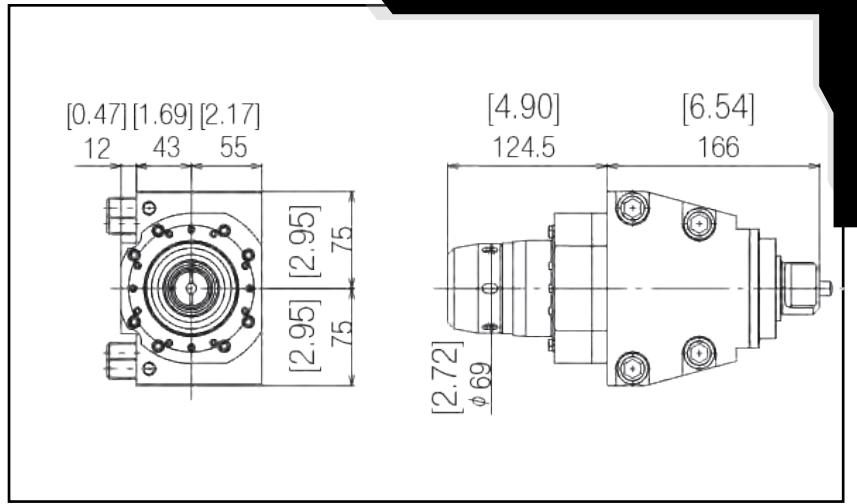
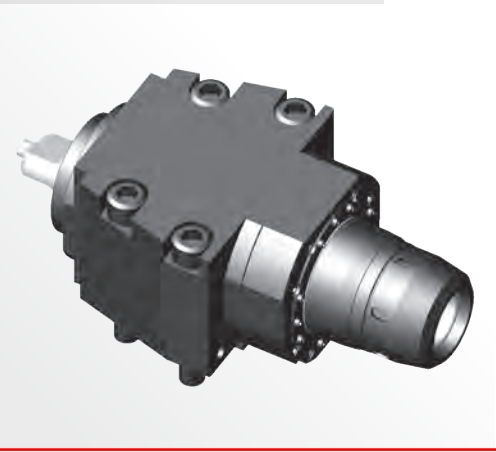


Input



Output

Mori Seiki Part#: T32334



External/Internal	Radial/Axial	Max RPM	Gear Ratio	Max Torque Output	Collet Size	Spanner Wrench
Internal	Both	3000	1:1	85ft lbs (115nm)	KM 1 ^{1/4}	FK - 0065

32MM Milling Chuck (Axial/Radial)

Part #: MSL12-ARH32MM-C-7MP

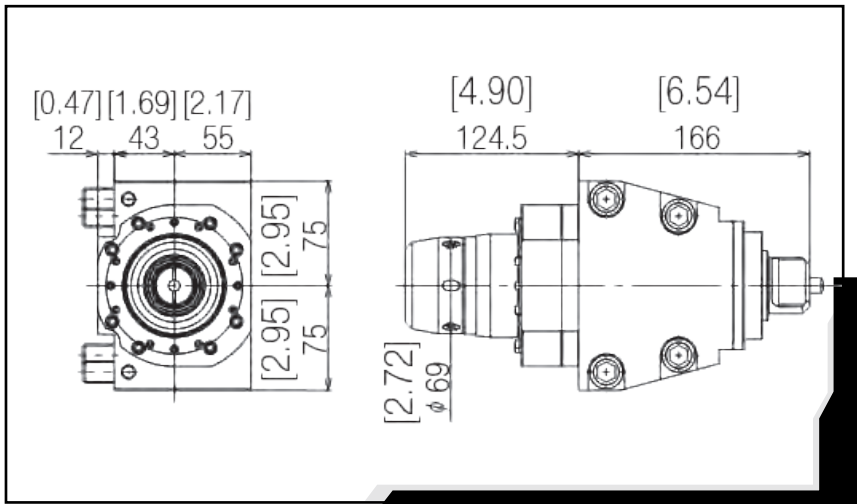
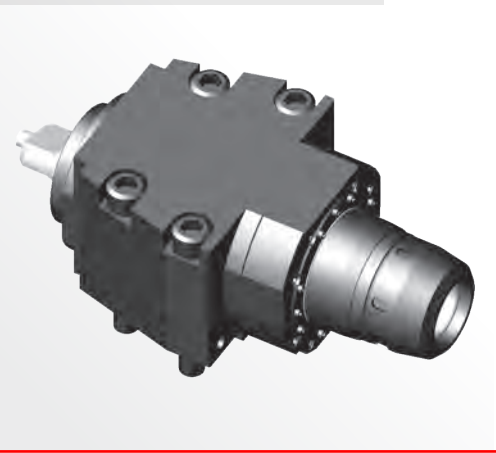


Input



Output

Mori Seiki Part#: T32330

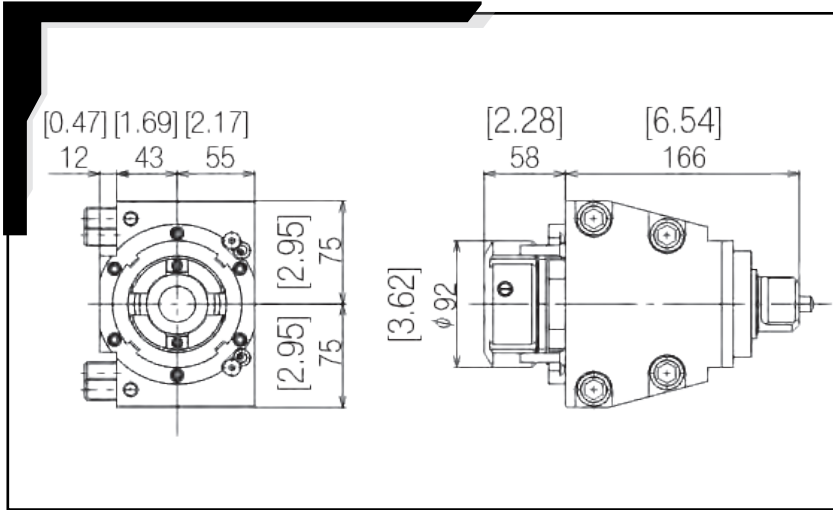


External/Internal	Radial/Axial	Max. RPM	Gear Ratio	Max. Torque Output	Collet Size	Spanner Wrench
Internal	Both	3000	1:1	85ft lbs (115nm)	KM32	FK - 0065



BT40 Quick Change (Axial/Radial)

Part #: MSL12-BT40



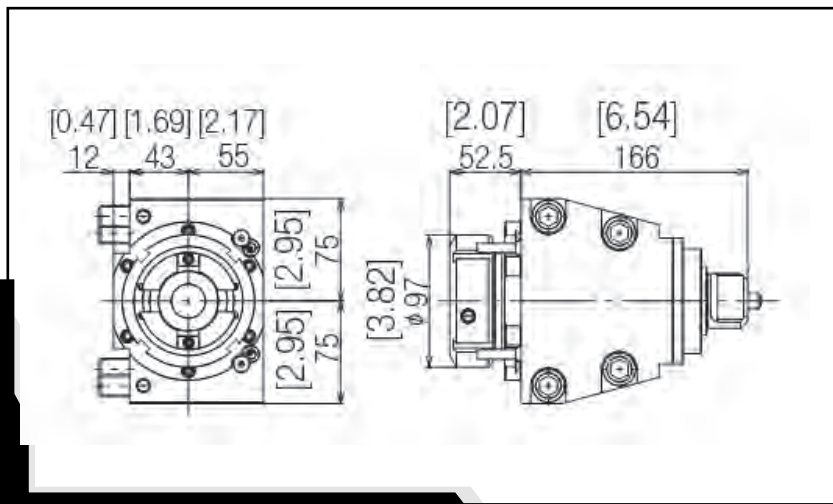
Mori Seiki Part#: T32328



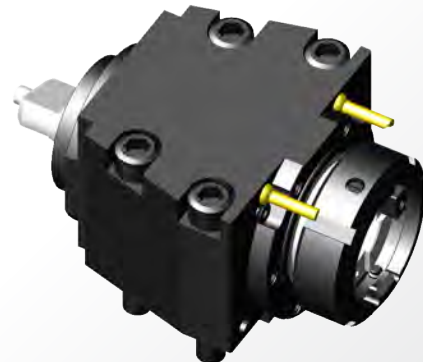
External/Internal	Radial/Axial	Max. RPM	Gear Ratio	Max. Torque Output	Collet Size	Spanner Wrench
External	Both	3000	1:1	85ft lbs (115nm)	BT40	FK - 0085

CAT40 Quick Change (Axial/Radial)

Part #: MSL12-CT40



Mori Part Number#: T32332



External/Internal	Radial/Axial	Max. RPM	Gear Ratio	Max. Torque Output	Collet Size	Spanner Wrench
External	Both	3000	1:1	85ft lbs (115nm)	CAT40	FK - 0085



12 STATION



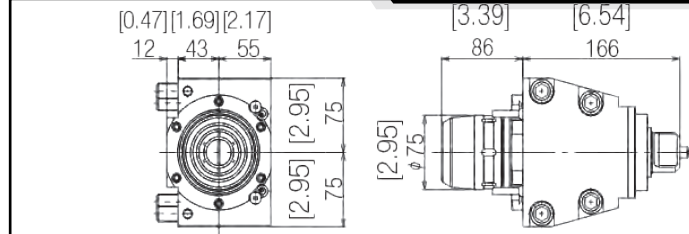
847-367-4800
www.lyndexnikken.com

1.25" Milling Chuck

Part #: MSL12-MCH12 (Axial/Radial)



Mori Seiki Part#: T32331



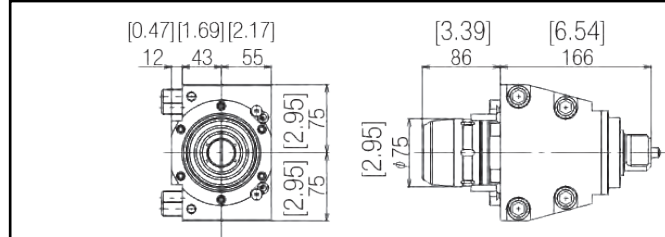
External/Internal	Radial/Axial	Max. RPM	Gear Ratio	Max. Torque Output	Collet Type	Spindler Wrench
External	Both	3000	1:1	85ft lbs (115nm)	KM32	FK - 10

32MM Milling Chuck

Part #: MSL12-MCH32MM (Axial/Radial)



Mori Seiki Part#: T32326



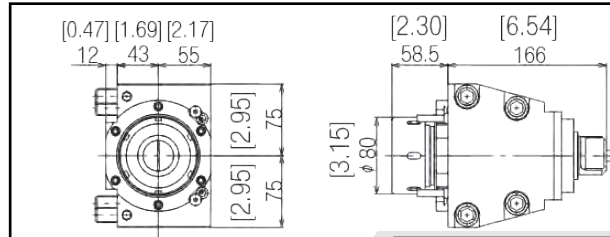
External/Internal	Radial/Axial	Max. RPM	Gear Ratio	Max. Torque Output	Collet Type	Spanner Wrench
External	Both	3000	1:1	85ft lbs (115nm)	KM 1 1/4	FK - 10

ER 50

Part #: MSL12-ER50 (Axial/Radial)



Mori Seiki Part#: T32247



External/Internal	Radial/Axial	Max. RPM	Gear Ratio	Max. Torque Output	Collet Size	Replacement Nut	Nut Wrench
External	Both	3000	1:1	85ft lbs (115nm)	ER 50 6mm - 34mm	NA 50	FK - 10



CAT End Mill Holders

CAT 40 Inch

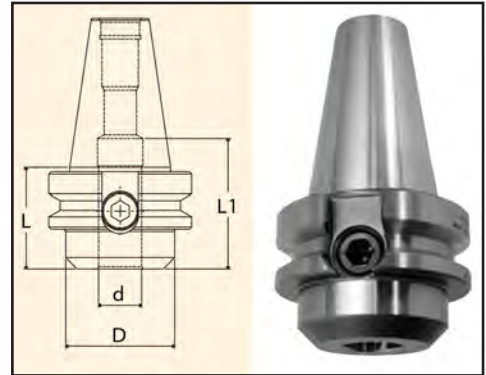
Part Number	Style	d	L	L1	L2	D	D1	Set Screw Part Number
C40S6-0125-1.38	Stubby	1/8"	1.38"	0.74"	-	0.75"	-	S6-32X1/4
C4006-0125-2.36	Standard	1/8"	2.36"	0.63"	-	0.75"	-	S6-32X1/4
C4016-0125-4.00	Standard	1/8"	4.00"	0.63"	-	0.75"	-	S6-32X1/4
C40S6-0187-1.38	Stubby	3/16"	1.38"	0.94"	-	0.75"	-	S8-32X1/4
C4006-0187-2.50	Standard	3/16"	2.50"	0.86"	-	0.75"	-	S8-32X1/4
C4016-0187-4.00	Standard	3/16"	4.00"	0.86"	-	0.75"	-	S8-32X1/4
C40S6-0250-1.38	Stubby	1/4"	1.38"	1.18"	-	0.79"	-	S1/4-28X1/4
C4006-0250-2.50	Standard	1/4"	2.50"	1.10"	-	0.79"	-	S1/4-28X1/4
C4016-0250-4.00	Standard	1/4"	4.00"	1.10"	-	0.79"	-	S1/4-28X1/4
C40S6-0312-1.38	Stubby	5/16"	1.38"	1.34"	-	0.87"	-	S5/16-24X1/4
C4006-0312-2.50	Standard	5/16"	2.50"	1.26"	-	0.87"	-	S5/16-24X1/4
C4016-0312-4.00	Standard	5/16"	4.00"	1.26"	-	0.87"	-	S5/16-24X1/4
C40S6-0375-1.38	Stubby	3/8"	1.38"	1.34"	-	1.00"	-	S3/8-24X5/16
C4006-0375-2.50	Standard	3/8"	2.50"	1.26"	-	1.00"	-	S3/8-24X5/16
C4016-0375-4.00	Standard	3/8"	4.00"	1.26"	-	1.00"	-	S3/8-24X5/16
C4026-0375-5.00	Standard	3/8"	5.00"	1.26"	-	1.00"	-	S3/8-24X5/16
C4006-0437-2.50	Standard	7/16"	2.50"	1.50"	-	1.38"	-	S7/16-20X3/8
C4016-0437-4.00	Standard	7/16"	4.00"	1.50"	-	1.38"	-	S7/16-20X3/8
C40S6-0500-1.75	Stubby	1/2"	1.75"	1.50"	-	1.38"	-	S7/16-20X3/8
C4006-0500-2.50	Standard	1/2"	2.50"	1.50"	-	1.38"	-	S7/16-20X3/8
C4016-0500-4.00	Standard	1/2"	4.00"	1.50"	-	1.38"	-	S7/16-20X3/8
C4026-0500-5.00	Standard	1/2"	5.00"	1.50"	-	1.38"	-	S7/16-20X3/8
C40S6-0625-1.75	Stubby	5/8"	1.75"	1.61"	-	1.65"	-	S9/16-18X1/2
C4006-0625-3.00	Standard	5/8"	3.00"	1.61"	-	1.65"	-	S9/16-18X1/2
C4016-0625-4.00	Standard	5/8"	4.00"	1.61"	-	1.65"	-	S9/16-18X1/2
C4026-0625-5.50	Standard	5/8"	5.50"	1.61"	-	1.65"	-	S9/16-18X1/2
C40S6-0750-1.75	Stubby	3/4"	1.75"	1.77"	-	1.89"	-	S5/8-18X1/2
C4006-0750-3.00	Standard	3/4"	3.00"	1.77"	-	1.75"	-	S5/8-18X1/2
C4016-0750-4.00	Standard	3/4"	4.00"	1.77"	-	1.75"	-	S5/8-18X1/2
C4026-0750-5.50	Standard	3/4"	5.50"	1.77"	-	1.75"	-	S5/8-18X1/2
C40S6-0875-1.75	Stubby	7/8"	1.75"	2.08"	-	1.94"	-	S5/8-18X1/2
C4006-0875-3.50	Standard	7/8"	3.50"	2.08"	-	2.00"	-	S5/8-18X1/2 (2)
C4016-0875-6.00	Standard	7/8"	6.00"	2.08"	-	2.00"	-	S5/8-18X1/2 (2)
C40S6-1000-2.00	Stubby	1"	2.00"	2.36"	-	2.25"	-	S3/4-16X11/16
C4006-1000-4.00	Standard	1"	4.00"	2.36"	-	2.36"	-	S3/4-16X11/16 (2)
C4016-1000-6.00	Standard	1"	6.00"	2.36"	-	2.36"	-	S3/4-16X11/16 (2)
C40S6-1250-2.00	Stubby	1-1/4"	2.00"	2.28"	-	2.25"	-	S3/4-16X7/16
C4006-1250-4.00	Standard	1-1/4"	4.00"	2.55"	-	2.48"	-	S3/4-16X11/16 (2)
C4016-1250-6.00	Standard	1-1/4"	6.00"	2.55"	-	2.48"	-	S3/4-16X11/16 (2)
C4006-1500-4.50	Standard	1-1/2"	4.50"	2.55"	-	2.99"	-	S3/4-16X11/16 (2)
C4016-1500-6.00	Standard	1-1/2"	6.00"	2.83"	-	2.99"	-	S3/4-16X11/16 (2)

Set screws are included. Back-up screws not included.
Extended length end mill holders can be modified to DIN Standard.

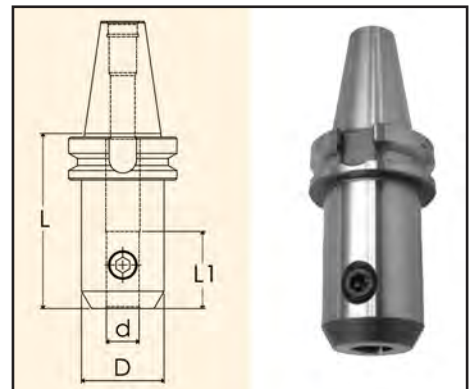
CAT 40 Metric

Part Number	Style	d	L	L1	D	Set Screw Part Number
C4006-6-2.50	Standard	6mm	2.50"	1.10"	0.78"	S1/4-28X1/4
C4006-8-2.50	Standard	8mm	2.50"	1.25"	0.87"	S5/16-24X1/4
C4006-10-2.50	Standard	10mm	2.50"	1.25"	1.00"	S3/8-24X5/16
C4006-12-2.50	Standard	12mm	2.50"	1.50"	1.38"	S7/16-20X3/8
C4006-14-3.00	Standard	14mm	3.00"	1.61"	1.65"	S9/16-18X1/2
C4006-16-3.00	Standard	16mm	3.00"	1.61"	1.65"	S9/16-18X1/2
C4006-18-3.00	Standard	18mm	3.00"	1.77"	1.75"	S5/8-18x1/2
C4006-20-3.00	Standard	20mm	3.00"	1.77"	1.75"	S5/8-18x1/2
C4006-25-4.00	Standard	25mm	4.00"	2.36"	2.36"	S3/4-16X11/16 (2)
C4006-32-4.00	Standard	32mm	4.00"	2.36"	2.48"	S3/4-16X11/16 (2)

Set screws are included. Back-up screws not included.



Stubby

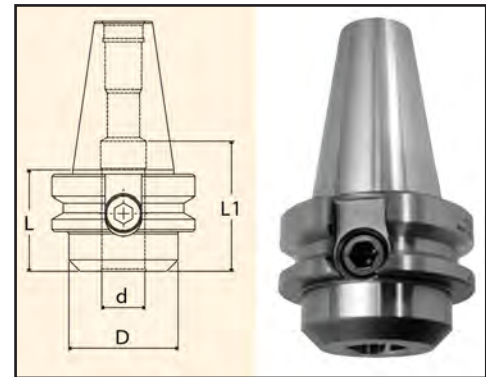


Standard

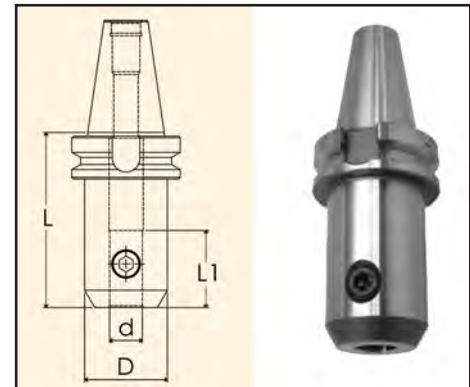
BT End Mill Holders

BT40 Inch

Part Number	Style	d	L	L1	D	Set Screw Part Number
B40S6-0125-1.38	Stubby	1/8"	1.38"	0.78"	0.75"	S6-32X1/4
B4006-0125-2.36	Standard	1/8"	2.36"	0.63"	0.75"	S6-32X1/4
B4016-0125-4.00	Standard	1/8"	4.00"	0.63"	0.75"	S6-32X1/4
B40S6-0187-1.38	Stubby	3/16"	1.38"	0.98"	0.75"	S8-32X1/4
B4006-0187-2.50	Standard	3/16"	2.50"	0.86"	0.75"	S8-32X1/4
B4016-0187-4.00	Standard	3/16"	4.00"	0.86"	0.75"	S8-32X1/4
B40S6-0250-1.38	Stubby	1/4"	1.38"	1.18"	0.79"	S1/4-28X1/4
B4006-0250-2.50	Standard	1/4"	2.50"	1.10"	0.79"	S1/4-28X1/4
B4016-0250-4.00	Standard	1/4"	4.00"	1.10"	0.79"	S1/4-28X1/4
B40S6-0312-1.38	Stubby	5/16"	1.38"	1.38"	0.87"	S5/16-24X1/4
B4006-0312-2.50	Standard	5/16"	2.50"	1.26"	0.87"	S5/16-24X1/4
B4016-0312-4.00	Standard	5/16"	4.00"	1.26"	0.87"	S5/16-24X1/4
B40S6-0375-1.38	Stubby	3/8"	1.38"	1.38"	1.00"	S3/8-24x5/16
B4006-0375-2.50	Standard	3/8"	2.50"	1.26"	1.00"	S3/8-24x5/16
B4016-0375-4.00	Standard	3/8"	4.00"	1.26"	1.00"	S3/8-24x5/16
B4006-0437-2.50	Standard	7/16"	2.50"	1.53"	1.38"	S7/16-20X3/8
B40S6-0500-1.75	Stubby	1/2"	1.75"	1.57"	1.38"	S7/16-20X3/8
B4006-0500-2.50	Standard	1/2"	2.50"	1.50"	1.38"	S7/16-20X3/8
B4016-0500-4.00	Standard	1/2"	4.00"	1.57"	1.38"	S7/16-20X3/8
B40S6-0625-1.75	Stubby	5/8"	1.75"	1.61"	1.65"	S9/16-18X1/2
B4006-0625-2.50	Standard	5/8"	2.50"	1.61"	1.65"	S9/16-18X1/2
B4016-0625-4.00	Standard	5/8"	4.00"	1.61"	1.65"	S9/16-18X1/2
B40S6-0750-1.75	Stubby	3/4"	1.75"	1.77"	1.89"	S5/8-18X1/2
B4006-0750-2.50	Standard	3/4"	2.50"	1.77"	1.89"	S5/8-18X1/2
B4016-0750-4.00	Standard	3/4"	4.00"	1.77"	1.89"	S5/8-18X1/2
B4006-0875-3.38	Standard	7/8"	3.38"	2.08"	2.00"	S5/8-18X1/2(2)
B4016-0875-6.00	Standard	7/8"	6.00"	2.08"	2.00"	S5/8-18X1/2(2)
B40S6-1000-2.00	Stubby	1"	2.00"	2.28"	2.25"	S3/4-16X11/16
B4006-1000-3.56	Standard	1"	3.56"	2.36"	2.36"	S3/4-16X11/16(2)
B4016-1000-6.00	Standard	1"	6.00"	2.36"	2.36"	S3/4-16X11/16(2)
B40S6-1250-2.00	Stubby	1-1/4"	2.00"	2.16"	2.25"	S3/4-16X11/16
B4006-1250-3.56	Standard	1-1/4"	3.56"	2.56"	2.48"	S3/4-16X11/16(2)
B4016-1250-6.00	Standard	1-1/4"	6.00"	2.56"	2.48"	S3/4-16X11/16(2)
B4006-1500-4.50	Standard	1-1/2"	4.50"	2.83"	2.99"	S3/4-16X11/16(2)
B4016-1500-6.00	Standard	1-1/2"	6.00"	2.83"	2.99"	S3/4-16X11/16(2)



Stubby



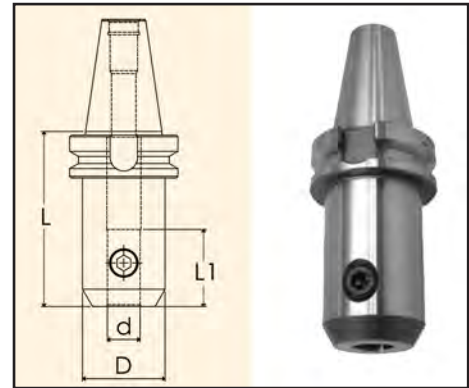
Standard

Set screws are included. Back-up screws not included.

BT End Mill Holders

BT40 Metric

Part Number	Style	d	L	L1	D	Set Screw Part Number
B4006-6-2.50	Standard	6mm	2.50"	1.10"	0.79"	S1/4-28X1/4
B4016-6-4.00	Standard	6mm	4.00"	1.10"	0.79"	S1/4-28X1/4
B4006-8-2.50	Standard	8mm	2.50"	1.26"	0.87"	S5/16-24X1/4
B4016-8-4.00	Standard	8mm	4.00"	1.26"	0.87"	S5/16-24X1/4
B4006-10-2.50	Standard	10mm	2.50"	1.26"	1.00"	S3/8-24X5/16
B4016-10-4.00	Standard	10mm	4.00"	1.26"	1.00"	S3/8-24X5/16
B4006-12-2.50	Standard	12mm	2.50"	1.50"	1.38"	S7/16-20X3/8
B4016-12-4.00	Standard	12mm	4.00"	1.50"	1.38"	S7/16-20X3/8
B4006-14-2.50	Standard	14mm	2.50"	1.61"	1.65"	S9/16-18X1/2
B4016-14-4.00	Standard	14mm	4.00"	1.61"	1.65"	S9/16-18X1/2
B4006-16-2.50	Standard	16mm	2.50"	1.61"	1.65"	S9/16-18X1/2
B4016-16-4.00	Standard	16mm	4.00"	1.61"	1.65"	S9/16-18X1/2
B4006-18-2.50	Standard	18mm	2.50"	1.77"	1.89"	S5/8-18X1/2
B4016-18-4.00	Standard	18mm	4.00"	1.77"	1.89"	S5/8-18X1/2
B4006-20-2.50	Standard	20mm	2.50"	1.77"	1.89"	S5/8-18X1/2
B4016-20-4.00	Standard	20mm	4.00"	1.77"	1.89"	S5/8-18X1/2
B4006-25-3.56	Standard	25mm	3.56"	2.36"	2.36"	S3/4-16X11/16(2)
B4016-25-6.00	Standard	25mm	6.00"	2.36"	2.36"	S3/4-16X11/16(2)
B4006-32-3.56	Standard	32mm	3.56"	2.56"	2.48"	S3/4-16X11/16(2)
B4016-32-6.00	Standard	32mm	6.00"	2.56"	2.48"	S3/4-16X11/16(2)



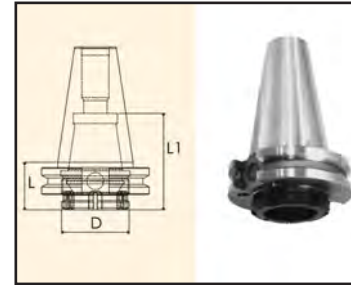
Standard

Set screws are included. Back-up screws not included.

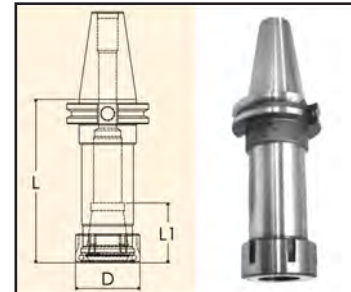
CAT & BT ER Collet Chucks

CAT40

Part Number	Style	Collet Size	Collet Range	Nut Wrench	L	L1	D
C4007-0008-2.50	Standard	ER8	.019-.196"	08-NASPAN	2.50"	0.51"	0.47"
C4017-0008-4.00	Standard	ER8	.019-.196"	08-NASPAN	4.00"	0.51"	0.47"
C4007-0011-2.50	Standard	ER11	.019-.275"	011-HEX	2.50"	0.65"	0.75"
C4017-0011-4.00	Standard	ER11	.019-.275"	011-HEX	4.00"	0.65"	0.75"
C4027-0011-6.00	Standard	ER11	.019-.275"	011-HEX	6.00"	0.65"	0.75"
C40S7-0016-2.25	Stubby	ER16	.019-.406"	016-SPAN	2.25"	0.87"	1.26"
C4007-0016-3.50	Standard	ER16	.019-.406"	016-SPAN	3.50"	0.87"	1.26"
C4017-0016-6.00	Standard	ER16	.019-.406"	016-SPAN	6.00"	0.87"	1.26"
C4007-0020-2.50	Standard	ER20	.039-.511"	020-SPAN	2.50"	1.06"	1.38"
C4017-0020-4.00	Standard	ER20	.039-.511"	020-SPAN	4.00"	1.06"	1.38"
C4027-0020-6.00	Standard	ER20	.039-.511"	020-SPAN	6.00"	1.06"	1.38"
C4007-0025-2.50	Standard	ER25	.039-.629"	025-SPAN	2.50"	1.18"	1.65"
C4017-0025-4.00	Standard	ER25	.039-.629"	025-SPAN	4.00"	1.18"	1.65"
C4027-0025-6.00	Standard	ER25	.039-.629"	025-SPAN	6.00"	1.18"	1.65"
C40S7-0032-1.10	Stubby	ER32	.078-.787"	025-SPAN	2.25"	0.87"	1.26"
C4007-0032-3.13	Standard	ER32	.078-.787"	032-SPAN	3.13"	1.34"	1.97"
C4017-0032-5.00	Standard	ER32	.078-.787"	032-SPAN	5.00"	1.34"	1.97"
C4007-0040-3.13	Standard	ER40	.118-1.023"	040-SPAN	3.13"	1.50"	2.48"
C4017-0040-5.00	Standard	ER40	.118-1.023"	040-SPAN	5.00"	1.50"	2.48"



Stubby

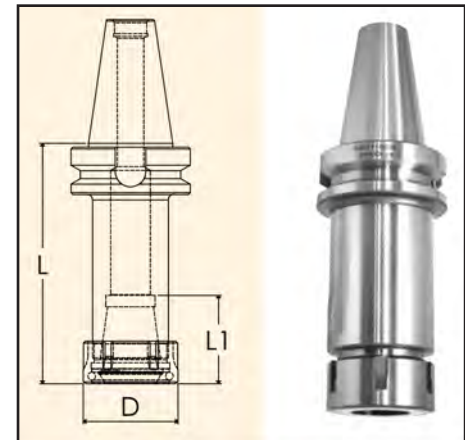


Standard

Note: ER Collet Chucks come with back-up screw.

BT40

Part Number	Style	Collet Size	Collet Range	Nut Wrench	L	L1	D
B4007-0008-2.50	Standard	ER8	.019-.196"	08-NASPAN	2.50"	0.51"	0.47"
B4017-0008-4.00	Standard	ER8	.019-.196"	08-NASPAN	4.00"	0.51"	0.47"
B4007-0011-2.50	Standard	ER11	.019-.275"	011-HEX	2.50"	0.65"	0.75"
B4017-0011-4.00	Standard	ER11	.019-.275"	011-HEX	4.00"	0.65"	0.75"
B4027-0011-6.00	Standard	ER11	.019-.275"	011-HEX	6.00"	0.65"	0.75"
B40S7-0016-2.50	Stubby	ER16	.019-.406"	016-SPAN	2.50"	-	-
B4007-0016-3.50	Standard	ER16	.019-.406"	016-SPAN	3.50"	0.87"	1.26"
B4017-0016-5.00	Standard	ER16	.019-.406"	016-SPAN	5.00"	0.87"	1.26"
B4007-0020-2.50	Standard	ER20	.039-.511"	020-SPAN	2.50"	1.06"	1.38"
B4017-0020-4.00	Standard	ER20	.039-.511"	020-SPAN	4.00"	1.06"	1.38"
B4027-0020-6.00	Standard	ER20	.039-.511"	020-SPAN	6.00"	1.06"	1.38"
B4007-0025-2.25	Standard	ER25	.039-.629"	025-SPAN	2.25"	1.18"	1.65"
B4017-0025-4.00	Standard	ER25	.039-.629"	025-SPAN	4.00"	1.18"	1.65"
B4027-0025-6.00	Standard	ER25	.039-.629"	025-SPAN	6.00"	1.18"	1.65"
B4027-0025-6.00	Standard	ER25	.039-.629"	025-SPAN	6.00"	1.18"	1.65"
B4007-0032-3.13	Standard	ER32	.078-.787"	032-SPAN	3.13"	1.34"	1.97"
B4017-0032-5.00	Standard	ER32	.078-.787"	032-SPAN	5.00"	1.34"	1.97"
B4007-0040-3.13	Standard	ER40	.118-1.023"	040-SPAN	3.13"	1.50"	2.50"
B4017-0040-5.00	Standard	ER40	.118-1.023"	040-SPAN	5.00"	1.50"	2.50"



Standard

Note: ER Collet Chucks come with back-up screw.

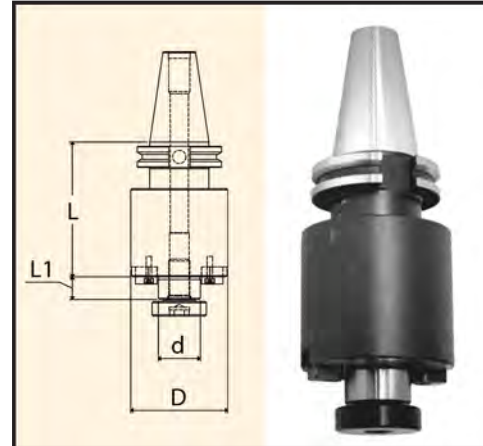
CAT & BT Shell Mill Holders

CAT40

Part Number	d	L	D	L1	Key Size	Arbor Thread
C4001-0500-1.75	1/2"	1.75"	1.378"	0.57"	1/4"	1/4"-28
C4001-0750-1.75	3/4"	1.75"	1.929"	0.67"	5/16"	3/8"-24
C4011-0750-4.00	3/4"	4.00"	1.929"	0.67"	5/16"	3/8"-24
C4001-1000-1.75	1"	1.75"	2.382"	0.67"	3/8"	1/2"-20
C4011-1000-4.00	1"	4.00"	2.382"	0.67"	3/8"	1/2"-20
C4001-1250-2.00	1-1/4"	2.00"	2.882"	0.67"	1/2"	5/8"-18
C4011-1250-4.00	1-1/4"	4.00"	2.882"	0.67"	1/2"	5/8"-18
C4001-1500-2.00	1-1/2"	2.00"	3.799"	0.93"	5/8"	3/4"-16
C4011-1500-4.00	1-1/2"	4.00"	3.799"	0.93"	5/8"	3/4"-16

CAT40 Metric

Part Number	d	L	D	L1	Key Size	Arbor Thread
C4001-22-50	22mm	50mm	40mm	19mm	10mm	M10
C4001-27-50	27mm	50mm	48mm	21mm	12mm	M12
C4001-32-50	32mm	50mm	58mm	24mm	14mm	M16
C4001-40-60	40mm	60mm	67mm	27mm	16mm	M20

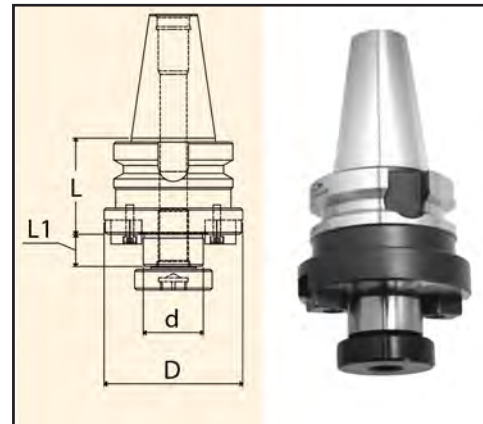


BT40

Part Number	d	L	D	L1	Key Size	Arbor Thread
B4001-0500-1.75	1/2"	1.75"	1.378"	0.57"	1/4"	1/4"-28
B4001-0750-1.75	3/4"	1.75"	1.929"	0.67"	5/16"	3/8"-24
B4001-1000-1.75	1"	1.75"	2.382"	0.67"	3/8"	1/2"-20
B4001-1250-2.00	1-1/4"	2.00"	2.882"	0.67"	1/2"	5/8"-18
B4001-1500-2.00	1-1/2"	2.00"	3.799"	0.92"	5/8"	3/4"-16

BT40 Metric

Part Number	d	L	D	L1	Key size	Arbor thread
B4001-22-50	22mm	50mm	40mm	19mm	10mm	M10
B4001-27-50	27mm	50mm	48mm	21mm	12mm	M12
B4001-32-50	32mm	50mm	58mm	24mm	14mm	M16
B4001-40-60	40mm	60mm	67mm	27mm	16mm	M20

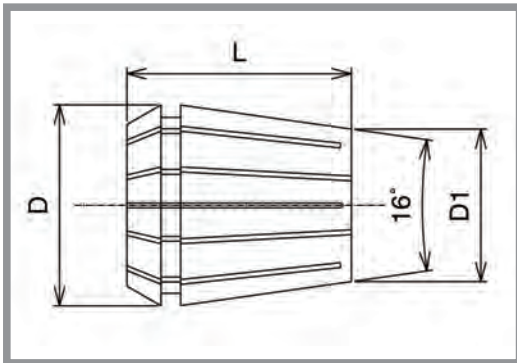


STANDARD (INCH)

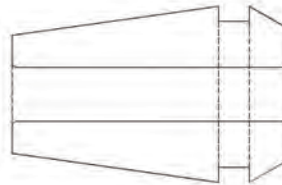
SIZE	ER16	ER20	ER25	ER32	ER40
1/32"	E16-002	-	-	-	-
1/16"	E16-004	E20-004	E25-004	-	-
3/32"	E16-006	E20-006	E25-006	-	-
1/8"	E16-008	E20-008	E25-008	E32-008	-
5/32"	E16-010	E20-010	E25-010	E32-010	E40-010
3/16"	E16-012	E20-012	E25-012	E32-012	E40-012
7/32"	E16-014	E20-014	E25-014	E32-014	E40-014
1/4"	E16-016	E20-016	E25-016	E32-016	E40-016
9/32"	E16-018	E20-018	E25-018	E32-018	E40-018
5/16"	E16-020	E20-020	E25-020	E32-020	E40-020
11/32"	E16-022	E20-022	E25-022	E32-022	E40-022
3/8"	E16-024	E20-024	E25-024	E32-024	E40-024
13/32"	E16-026	E20-026	E25-026	E32-026	E40-026
7/16"	-	E20-028	E25-028	E32-028	E40-028
15/32"	-	E20-030	E25-030	E32-030	E40-030
1/2"	-	E20-032	E25-032	E32-032	E40-032
17/32"	-	-	E25-034	E32-034	E40-034
9/16"	-	-	E25-036	E32-036	E40-036
19/32"	-	-	E25-038	E32-038	E40-038
5/8"	-	-	E25-040	E32-040	E40-040
21/32"	-	-	-	E32-042	E40-042
11/16"	-	-	-	E32-044	E40-044
23/32"	-	-	-	E32-046	E40-046
3/4"	-	-	-	E32-048	E40-048
25/32"	-	-	-	E32-050	E40-050
13/16"	-	-	-	-	E40-052
27/32"	-	-	-	-	E40-054
7/8"	-	-	-	-	E40-056
29/32"	-	-	-	-	E40-058
15/16"	-	-	-	-	E40-060
31/32"	-	-	-	-	E40-062
1"	-	-	-	-	E40-064

STANDARD (METRIC)

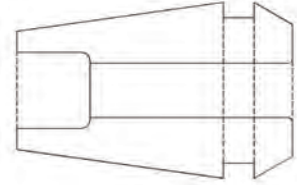
SIZE	ER16	ER20	ER25	ER32	ER40	ER 50
1.0mm	E16-039	-	-	-	-	-
1.5mm	E16-059	-	-	-	-	-
2.0mm	E16-078	E20-078	E25-078	-	-	-
3.0mm	E16-118	E20-118	E25-118	E32-118	-	-
3.5mm	E16-137	E20-137	E25-137	E32-137	-	-
4.0mm	E16-157	E20-157	E25-157	E32-157	E40-157	-
5.0mm	E16-196	E20-196	E25-196	E32-196	E40-196	-
6.0mm	E16-236	E20-236	E25-236	E32-236	E40-236	-
7.0mm	E16-275	E20-275	E25-275	E32-275	E40-275	-
8.0mm	E16-314	E20-314	E25-314	E32-314	E40-314	-
9.0mm	E16-354	E20-354	E25-354	E32-354	E40-354	-
10.0mm	E16-393	E20-393	E25-393	E32-393	E40-393	-
11.0mm	-	E20-433	E25-433	E32-433	E40-433	-
11.5mm	-	E20-452	E25-452	E32-452	E40-452	-
12.0mm	-	E20-472	E25-472	E32-472	E40-472	E50-1023
13.0mm	-	E20-511	E25-511	E32-511	E40-511	E50-1062
14.0mm	-	-	E25-551	E32-551	E40-551	E50-1102
15.0mm	-	-	E25-590	E32-590	E40-590	E50-1141
16.0mm	-	-	E25-629	E32-629	E40-629	E50-1181
17.0mm	-	-	-	E32-669	E40-669	E50-1220
18.0mm	-	-	-	E32-708	E40-708	E50-1259
19.0mm	-	-	-	E32-748	E40-748	E50-1299
19.5mm	-	-	-	E32-767	E40-767	E50-1338
20.0mm	-	-	-	E32-787	E40-787	E50-235
21.0mm	-	-	-	-	E40-826	E50-472
22.0mm	-	-	-	-	E40-866	E50-511
23.0mm	-	-	-	-	E40-905	E50-551
24.0mm	-	-	-	-	E40-944	E50-590
25.0mm	-	-	-	-	E40-984	E50-629
26.0mm	-	-	-	-	E40-1023	E50-669
27.0mm	-	-	-	-	-	E50-708
28.0mm	-	-	-	-	-	E50-748
29.0mm	-	-	-	-	-	E50-787
30.0mm	-	-	-	-	-	E50-826
31.0mm	-	-	-	-	-	E50-866
32.0mm	-	-	-	-	-	E50-905
33.0mm	-	-	-	-	-	E50-944
34.0mm	-	-	-	-	-	E50-984



ER Standard type collet



ER Counter-Bored type collet



Style	D	D1	L	Collet Range	Coolant Collet Size Range	Nut Tightening Torque	
						Standard collet	Counter-bored collet
ER16	17.2mm	11.3mm	27.0mm	0.5 - 10.0mm	4.0 - 10.0mm (3/16" - 17/64")	30 - 37 ft-lbs	18 - 22 ft-lbs
ER20	21.2mm	14.5mm	31.0mm	1.0 - 13.0mm	5.0 - 13.0mm (5/32" - 1/2")	60 - 74 ft-lbs	42 - 52 ft-lbs
ER25	26.2mm	18.5mm	35.0mm	1.0 - 16.0mm	6.0 - 16.0mm (7/32" - 5/8")	77 - 96 ft-lbs	54 - 67 ft-lbs
ER32	33.2mm	24.4mm	40.0mm	2.0 - 20.0mm	10.0 - 20.0mm (1/4" - 25/32")	100 - 125 ft-lbs	77 - 96 ft-lbs
ER40	41.2mm	31.2mm	46.0mm	3.0 - 26.0mm	10.0 - 26.0mm (1/4" - 1 1/32")	125 - 157 ft-lbs	130 - 162 ft-lbs
ER50	52mm	42mm	60mm	6-34mm	N/A	140-175 ft-lbs	N/A

ER Series Coolant Collets

COOLANT (INCH)

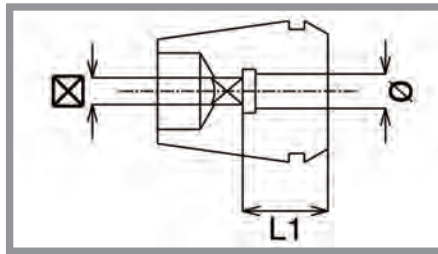
SIZE	ER16	ER20	ER25	ER32
3/32"	E16-006(C)	-	-	-
7/64"	E16-007(C)	-	-	-
1/8"	E16-008(C)	-	-	-
9/64"	E16-009(C)	-	-	-
5/32"	E16-010(C)	E20-010(C)	-	-
11/64"	E16-011(C)	E20-011(C)	-	-
3/16"	E16-012(C)	E20-012(C)	-	-
13/64"	E16-013(C)	E20-013(C)	-	-
7/32"	E16-014(C)	E20-014(C)	E25-014(C)	-
15/64"	E16-015(C)	E20-015(C)	E25-015(C)	-
1/4"	E16-016(C)	E20-016(C)	E25-016(C)	E32-016(C)
17/64"	E16-017(C)	E20-017(C)	E25-017(C)	E32-017(C)
9/32"	E16-018(C)	E20-018(C)	E25-018(C)	E32-018(C)
19/64"	E16-019(C)	E20-019(C)	E25-019(C)	E32-019(C)
5/16"	E16-020(C)	E20-020(C)	E25-020(C)	E32-020(C)
21/64"	E16-021(C)	E20-021(C)	E25-021(C)	E32-021(C)
11/32"	E16-022(C)	E20-022(C)	E25-022(C)	E32-022(C)
23/64"	E16-023(C)	E20-023(C)	E25-023(C)	E32-023(C)
3/8"	E16-024(C)	E20-024(C)	E25-024(C)	E32-024(C)
25/64"	E16-025(C)	E20-025(C)	E25-025(C)	E32-025(C)
13/32"	E16-026(C)	E20-026(C)	E25-026(C)	E32-026(C)
27/64"	-	E20-027(C)	E25-027(C)	E32-027(C)
7/16"	-	E20-028(C)	E25-028(C)	E32-028(C)
29/64"	-	E20-029(C)	E25-029(C)	E32-029(C)
15/32"	-	E20-030(C)	E25-030(C)	E32-030(C)
31/64"	-	E20-031(C)	E25-031(C)	E32-031(C)
1/2"	-	E20-032(C)	E25-032(C)	E32-032(C)
33/64"	-	-	E25-033(C)	E32-033(C)
17/32"	-	-	E25-034(C)	E32-034(C)
35/64"	-	-	E25-035(C)	E32-035(C)
9/16"	-	-	E25-036(C)	E32-036(C)
37/64"	-	-	E25-037(C)	E32-037(C)
19/32"	-	-	E25-038(C)	E32-038(C)
39/64"	-	-	E25-039(C)	E32-039(C)
5/8"	-	-	E25-040(C)	E32-040(C)
41/64"	-	-	-	E32-041(C)
21/32"	-	-	-	E32-042(C)
43/64"	-	-	-	E32-043(C)
11/16"	-	-	-	E32-044(C)
45/64"	-	-	-	E32-045(C)
23/32"	-	-	-	E32-046(C)
47/64"	-	-	-	E32-047(C)
3/4"	-	-	-	E32-048(C)
49/64"	-	-	-	E32-049(C)
25/32"	-	-	-	E32-050(C)

COOLANT (METRIC)

SIZE	ER16	ER20	ER25	ER32	ER40
4.0mm	E16-157(C)	-	-	-	-
4.5mm	E16-177(C)	-	-	-	-
5.0mm	E16-196(C)	E20-196(C)	-	-	-
5.5mm	E16-216(C)	E20-216(C)	-	-	-
6.0mm	E16-236(C)	E20-236(C)	E25-236(C)	-	-
6.5mm	E16-255(C)	E20-255(C)	E25-255(C)	-	-
7.0mm	E16-275(C)	E20-275(C)	E25-275(C)	-	-
7.5mm	E16-295(C)	E20-295(C)	E25-295(C)	-	-
8.0mm	E16-314(C)	E20-314(C)	E25-314(C)	-	-
8.5mm	E16-334(C)	E20-334(C)	E25-334(C)	-	-
9.0mm	E16-354(C)	E20-354(C)	E25-354(C)	-	-
9.5mm	E16-374(C)	E20-374(C)	E25-374(C)	-	-
10.0mm	E16-393(C)	E20-393(C)	E25-393(C)	E32-393(C)	E40-393(C)
10.5mm	-	E20-413(C)	E25-413(C)	E32-413(C)	E40-413(C)
11.0mm	-	E20-433(C)	E25-433(C)	E32-433(C)	E40-433(C)
11.5mm	-	E20-452(C)	E25-452(C)	E32-452(C)	E40-452(C)
12.0mm	-	E20-472(C)	E25-472(C)	E32-472(C)	E40-472(C)
12.5mm	-	E20-492(C)	E25-492(C)	E32-492(C)	E40-492(C)
13.0mm	-	E20-511(C)	E25-511(C)	E32-511(C)	E40-511(C)
13.5mm	-	-	E25-531(C)	E32-531(C)	E40-531(C)
14.0mm	-	-	E25-551(C)	E32-551(C)	E40-551(C)
14.5mm	-	-	E25-570(C)	E32-570(C)	E40-570(C)
15.0mm	-	-	E25-590(C)	E32-590(C)	E40-590(C)
15.5mm	-	-	E25-610(C)	E32-610(C)	E40-610(C)
16.0mm	-	-	E25-629(C)	E32-629(C)	E40-629(C)
16.5mm	-	-	-	E32-649(C)	E40-649(C)
17.0mm	-	-	-	E32-669(C)	E40-669(C)
17.5mm	-	-	-	E32-688(C)	E40-688(C)
18.0mm	-	-	-	E32-708(C)	E40-708(C)
18.5mm	-	-	-	E32-728(C)	E40-728(C)
19.0mm	-	-	-	E32-748(C)	E40-748(C)
19.5mm	-	-	-	E32-767(C)	E40-767(C)
20.0mm	-	-	-	E32-787(C)	E40-787(C)
20.5mm	-	-	-	-	E40-807(C)
21.0mm	-	-	-	-	E40-826(C)
21.5mm	-	-	-	-	E40-846(C)
22.0mm	-	-	-	-	E40-866(C)
22.5mm	-	-	-	-	E40-885(C)
23.0mm	-	-	-	-	E40-905(C)
23.5mm	-	-	-	-	E40-925(C)
24.0mm	-	-	-	-	E40-944(C)
24.5mm	-	-	-	-	E40-964(C)
25.0mm	-	-	-	-	E40-984(C)
25.5mm	-	-	-	-	E40-1003(C)
26.0mm	-	-	-	-	E40-1023(C)



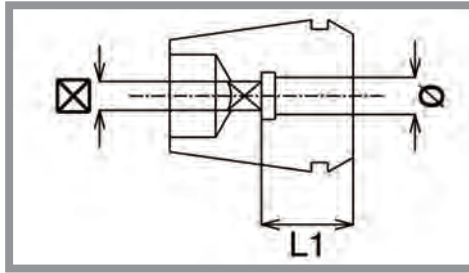
ER Series Tap Collets



ER Tap Collets feature a unique design that incorporates an internal square drive with our popular ER Series collets. The square drive matches the tap square, providing a tight fit for all rigid tapping applications.

PART NUMBER	TAP INCH SIZE	TAP METRIC SIZE	L1	Ø	⊠
ET16-168	#8, 5/32"	M4	15.0mm	0.168	0.131
ET16-194	#10, 3/16"	M4.5, M5	15.0mm	0.194	0.152
ET16-220	#12, 7/32"	-	15.0mm	0.220	0.165
ET16-255	#14, 1/4"	M6, M6.5	22.0mm	0.255	0.191
ET20-168	#8, 5/32"	M4	15.0mm	0.168	0.131
ET20-194	#10, 3/16"	M4.5, M5	15.0mm	0.194	0.152
ET20-220	#12, 7/32"	-	15.0mm	0.220	0.165
ET20-255	#14, 1/4"	M6, M6.5	20.0mm	0.255	0.191
ET20-318	5/16"	M7, M6.5	20.0mm	0.318	0.238
ET20-323	7/16"	-	20.0mm	0.323	0.242
ET20-367	1/2"	M12, M12.5	25.0mm	0.367	0.275
ET20-381	3/8"	M10	20.0mm	0.381	0.286
ET25-168	#8, 5/32"	M4	15.0mm	0.168	0.131
ET25-194	#10, 3/16"	M4.5, M5	15.0mm	0.194	0.152
ET25-220	#12, 7/32"	-	15.0mm	0.220	0.165
ET25-255	#14, 1/4"	M6, M6.5	20.0mm	0.255	0.191
ET25-318	5/16"	M7, M6.5	20.0mm	0.318	0.238
ET25-323	7/16"	-	20.0mm	0.323	0.242
ET25-367	1/2"	M12, M12.5	25.0mm	0.367	0.275
ET25-381	3/8"	M10	20.0mm	0.381	0.286
ET25-429	9/16"	M14	25.0mm	0.429	0.322
ET25-437	1/8" NPT(L)	-	18.0mm	0.437	0.328
ET25-480	5/8"	M16	25.0mm	0.480	0.360
ET32-168	#8, 5/32"	M4	15.0mm	0.168	0.131
ET32-194	#10, 3/16"	M4.5, M5	15.0mm	0.194	0.152
ET32-220	#12, 7/32"	-	15.0mm	0.220	0.165
ET32-255	#14, 1/4"	M6, M6.5	20.0mm	0.255	0.191
ET32-318	5/16"	M7, M6.5	20.0mm	0.318	0.238
ET32-323	7/16"	-	20.0mm	0.323	0.242
ET32-367	1/2"	M12, M12.5	25.0mm	0.367	0.275
ET32-381	3/8"	M10	20.0mm	0.381	0.286
ET32-429	9/16"	M14	25.0mm	0.429	0.322
ET32-437	1/8" NPT	-	18.0mm	0.437	0.328
ET32-480	5/8"	M16	25.0mm	0.480	0.360
ET32-542	11/16"	M18	30.0mm	0.542	0.406
ET32-562	1/4" NPT	-	18.0mm	0.562	0.421
ET32-590	3/4"	-	30.0mm	0.590	0.442
ET32-652	13/16"	M20	30.0mm	0.652	0.489
ET40-255	#14, 1/4"	M6, M6.5	25.0mm	0.255	0.191
ET40-318	5/16"	M7, M6.5	25.0mm	0.318	0.238
ET40-323	7/16"	-	25.0mm	0.323	0.242
ET40-367	1/2"	M12, M12.5	25.0mm	0.367	0.275
ET40-381	3/8"	M10	25.0mm	0.381	0.286
ET40-429	9/16"	M14	25.0mm	0.429	0.322
ET40-437	1/8" NPT	-	18.0mm	0.437	0.328
ET40-480	5/8"	M16	25.0mm	0.480	0.360
ET40-542	11/16"	M18	30.0mm	0.542	0.406
ET40-562	1/4" NPT	-	18.0mm	0.562	0.421
ET40-590	3/4"	-	30.0mm	0.590	0.442
ET40-652	13/16"	M20	30.0mm	0.652	0.489
ET40-687	1/2" NPT	-	18.0mm	0.687	0.515
ET40-697	7/8"	M22	30.0mm	0.697	0.523
ET40-700	3/8" NPT	-	18.0mm	0.70	0.531
ET40-760	15/16"	M24	35.0mm	0.76	0.570
ET40-800	1"	M25	35.0mm	0.80	0.600

ER Series Tap Coolant Collets

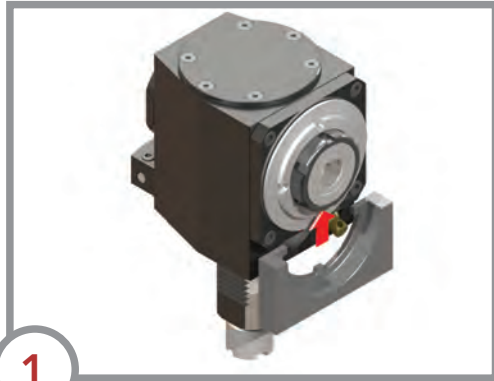


Lyndex-Nikken has now combined the versatility of our ER tapping collets with the popularity of our coolant collets to create our patented ER Coolant Tap Collets.

PART NUMBER	TAP INCH SIZE	TAP METRIC SIZE	L1	Ø	☒
ET16-255(C)	#14, 1/4"	M6, M6.5	22.0mm	0.255	0.191
ET16-318(C)	5/16"	M7, M6.5	22.0mm	0.318	0.238
ET20-255(C)	#14, 1/4"	M6, M6.5	25.0mm	0.255	0.191
ET20-318(C)	5/16"	M7, M6.5	25.0mm	0.318	0.238
ET20-323(C)	7/16"	-	25.0mm	0.323	0.242
ET20-367(C)	1/2"	M12, M12.5	25.0mm	0.367	0.275
ET20-381(C)	3/8"	M10	25.0mm	0.381	0.286
ET25-255(C)	#14, 1/4"	M6, M6.5	25.0mm	0.255	0.191
ET25-318(C)	5/16"	M7, M6.5	25.0mm	0.318	0.238
ET25-323(C)	7/16"	-	25.0mm	0.323	0.242
ET25-367(C)	1/2"	M12, M12.5	27.0mm	0.367	0.275
ET25-381(C)	3/8"	M10	25.0mm	0.381	0.286
ET25-429(C)	9/16"	M14	30.0mm	0.429	0.322
ET25-480(C)	5/8"	M16	30.0mm	0.48	0.36
ET32-255(C)	#14, 1/4"	M6, M6.5	25.0mm	0.255	0.191
ET32-318(C)	5/16"	M7, M6.5	25.0mm	0.318	0.238
ET32-323(C)	7/16"	-	25.0mm	0.323	0.242
ET32-367(C)	1/2"	M12, M12.5	27.0mm	0.367	0.275
ET32-381(C)	3/8"	M10	25.0mm	0.381	0.286
ET32-429(C)	9/16"	M14	30.0mm	0.429	0.322
ET32-480(C)	5/8"	M16	30.0mm	0.48	0.36
ET32-542(C)	11/16"	M18	35.0mm	0.542	0.406
ET32-590(C)	3/4"	-	35.0mm	0.59	0.442
ET32-652(C)	13/16"	M20	35.0mm	0.652	0.489
ET40-323(C)	7/16"	-	25.0mm	0.323	0.242
ET40-367(C)	1/2"	M12, M12.5	27.0mm	0.367	0.275
ET40-381(C)	3/8"	M10	25.0mm	0.381	0.286
ET40-429(C)	9/16"	M14	30.0mm	0.429	0.322
ET40-480(C)	5/8"	M16	30.0mm	0.48	0.36
ET40-542(C)	11/16"	M18	35.0mm	0.542	0.406
ET40-590(C)	3/4"	-	35.0mm	0.59	0.442
ET40-652(C)	13/16"	M20	35.0mm	0.652	0.489
ET40-697(C)	7/8"	M22	38.0mm	0.697	0.523
ET40-760(C)	15/16"	M24	38.0mm	0.76	0.57
ET40-800(C)	1"	M25	40.0mm	0.8	0.6

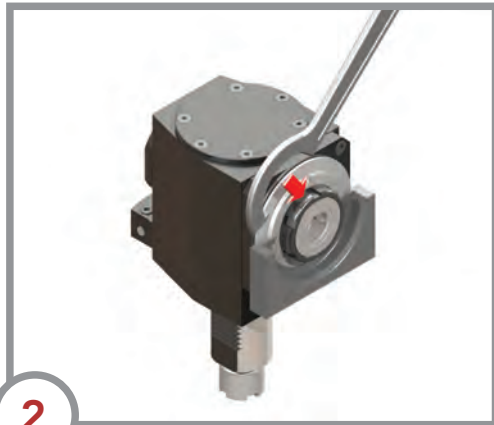
Note: Seals up to maximum coolant pressure of 1000 PSI.

Wrench Instructions



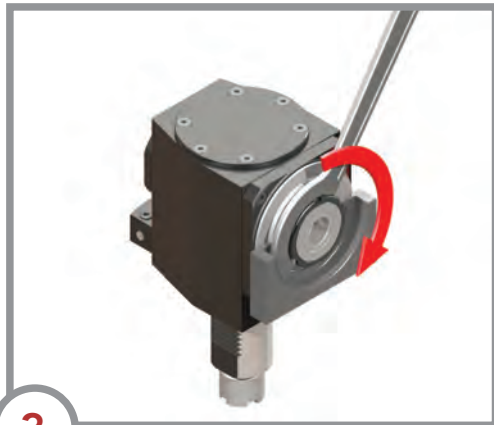
1

Insert setting fixture behind collet nut.



2

After securing the setting fixture in position, apply spanner wrench onto collet nut.



3

While holding the setting wrench, turn the spanner wrench clockwise to tighten.

Service and Support

Lyndex-Nikken is dedicated to providing not only the highest quality of equipment, but also the highest quality of service and customer care. With over 60 years of experience, our service engineers are looking forward to supporting your needs beyond your expectations.

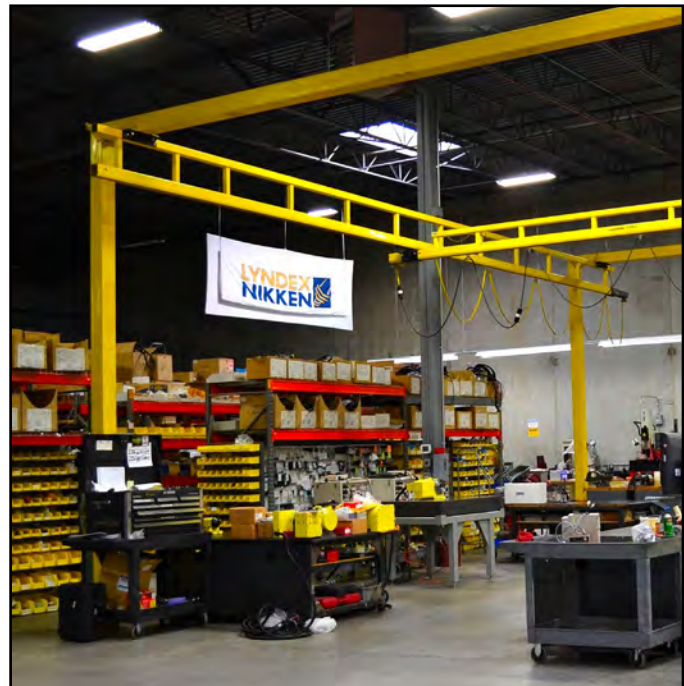
We fully stock all internal components to provide an expedited and cost-effective maintenance program and rebuild package for your live tooling. Managing a maintenance schedule for all your machine tool accessory components can be challenging, so we'll be glad to remind you when the time comes.

Warranty:

1 year warranty for internal components

2 year manufacturer warranty on external body

For any service request or inquiry, please contact our service department: **(847) 367-4800**



Our Mission: Advanced Technology and Leading Innovation

At Lyndex-Nikken, we have made it our mission to provide the two things our customers need most: advanced technology and the innovation to keep it moving forward.

With a history rich in innovation and a focus on the technology of the future, Lyndex-Nikken has become the leader in manufacturing innovation. Our industry-leading design and capabilities give us the power to create ground-breaking tools and machine tool accessories that will perform with amazing precision and reliability.

All of our products are made in Japan, ensuring an extremely high level of quality and long-term resistance. We are continually striving to improve our technology through constant innovation to enhance the respect and reliability that our products have thus far earned within their respective industries.

Not only are we committed to providing the highest quality of equipment, but also the highest quality of service and customer care. Our team of highly experienced technicians and product specialists offers unmatched customer service and engineering support to our customers worldwide.

As an international company with offices conveniently located throughout Europe, Asia, and the United States, Lyndex-Nikken is there to serve you, no matter where you are.



847-367-4800

www.lyndexnikken.com

Mori Seiki



E-mail: info@lyndexnikken.com

1468 Armour Boulevard

Mundelein, IL 60060

www.lyndexnikken.com

Phone: (847) 367-4800

Fax: (847) 367-4815

CAT2013-MORI-SL-VL